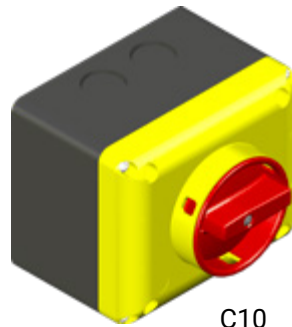




C09



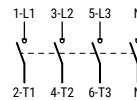
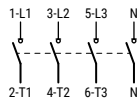
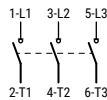
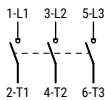
C10

SE16...C09/C10

SE32...C09/C10

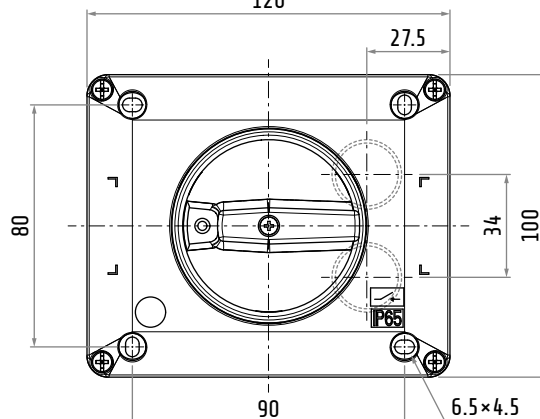
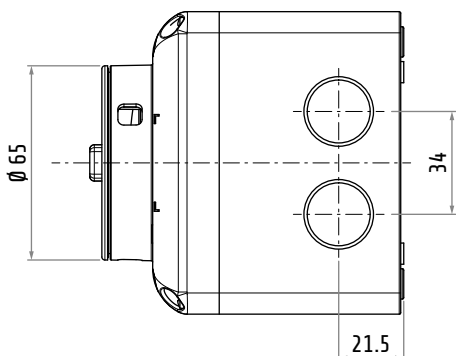
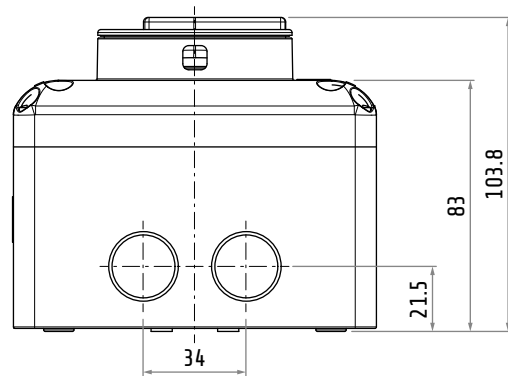
SWITCH DISCONNECTORS IN THERMOPLASTIC ENCLOSURE - SIZES: 32 A / 40 A

Series	3 poles (C09)	3 poles (C10)	4 poles (C09)	4 poles (C10)	AC-21A 690 V	AC-23A 400 V
SE16	SE160003BC09	SE160003BC10	SE160004BC09	SE160004BC10	32 A	25 A
SE32	SE320003BC09	SE320003BC10	SE320004BC09	SE320004BC10	40 A	32 A



Enclosure features

- Material: thermoplastic
- IP rating: IP65
- Double insulation
- Operating temperature certified down to -40°C
- Enclosure opening in "0" position
- Cable entry: 8 knockouts for Pg16 cable glands (of which 2 on the bottom)
- Locking facility in "0 - OFF" (max 3 padlocks)
- Dimensions: 120x100x85 mm
- C09: black box, grey cover and black knob
- C10: black box, yellow cover and red knob
- Marking: CE (UL version available)



Dimensions in mm / illustrations NOT in scale

SWITCH DISCONNECTOR SPECIFICATIONS

Switch disconnecter • General characteristics

Protection class	control	EN 60529 UL50 / NEMA	IP65 Type 1 - 4 - 4X
	terminals		IP 20
Material group		EN 60947-1	II
Pollution grade		EN 60947-1	3
Flammability		UL94	V0 (live electrical parts)
Ambient temperature	operating		-25 ... +55°C
	storage		-30 ... +70°C
Climate withstand		IEC 68 part 2-3 IEC 68 part 2-30	damp heat, steady state damp heat, cyclic
Terminal screw identification	conforming to		EN50013
Connections	terminal block caliber	EN60947-1	A6
	terminal screw		M4
	tightening torque	EN60947-1 UL508	1.2 N·m 7 lb·in (0.8 N·m)
Connectable section	flexible conductors		1.5 ... 10 mm ² AWG 16 ... 8
	solid conductors		1.5 ... 10 mm ² AWG 16 ... 8
Contacts			slow action double breaking
Opening angles			90°
Mechanical lifetime	@ 120 operations / hour		0.1 million cycles
Maximum altitude derating	up to 2000 m	voltage (V) power (A)	standard
	over 2000 m		< 1% each 100 m < 1% each 1000 m

Switch disconnecter • EN 60947-3 characteristics

		SE16	SE32
Rated operating voltage	U _e	690 V *	690 V *
Rated insulation voltage	U _i	690 V *	690 V *
Rated impulse withstand voltage (sectionable)	U _{imp}	4 kV *	4 kV *
Rated thermal current	I _{th}	32 30* A	40 A *
Rated enclosed thermal current	I _{the}	32 30* A	40 A *
Frequency		50 Hz	50 Hz

* IMQ values.

Switch disconnecter • Alternate current

Rated operating current		le		SE16	SE32
AC-21A	Switching of resistive loads, including moderate overloads		690 V	32 30* A	40 32* A
AC-22A	Switching of mixed resistive and inductive loads, including moderate overloads		690 V	25 20* A	32 A *
AC-23A	Switching of motor loads or other highly inductive loads	3 phases - 3 poles	230 V	25 A 7.5 kW	32 A 10 kW
			400 V	25 A 15 kW	32 A 18.5 kW
			500 V	25 A 15 kW	32 A 22 kW
			690 V	20 16* A 18.5 kW	25 A * 22 kW
AC-3	Squirrel-cage motors: starting, switches off motors during running time	3 phases - 3 poles	230 V	22 A 7.5 kW	30 A 9 kW
			400 V	22 A 11 kW	30 A 15 kW
			500 V	22 A 11 kW	30 A 18.5 kW
			690 V	22 12*A 11 kW	22 20*A 18.5 kW
AC-23A	Nominal breaking capacity (cosφ 0.45)		230 V	200 A	256 A
			400 V	200 A	256 A
			500 V	200 A	256 A
			690 V	160 A	200 A

Switch disconnecter • Short circuit characteristics

			SE16	SE32
Rated short-time short circuit withstand current (1 s)	lcw		400 A *	400 A *
Rated short circuit making capacity	lcm		1500 A *	1500 A *
Conditional rated short circuit withstand current			10 kA *	10 kA *
Fuse rating (type gG)		690 V	40 A *	40 A *

Switch disconnecter • UL 508 characteristics

			SE16	SE32
General use		600 V AC	32 A	40 A
Standard motor load	1 phase - 2 poles	120 V AC	1.5 HP 20 FLA	2 HP 24 FLA
		200 - 208 V AC	2 HP	3 HP
		240 V AC	3 HP 17 FLA	5 HP 28 FLA
	3 phases - 3 poles	200 - 208 V AC	7.5 HP	10 HP
		240 V AC	7.5 HP 22 FLA	10 HP 28 FLA
		480 V AC	10 HP 14 FLA	15 HP 21 FLA
		600 V AC	15 HP 17 FLA	20 HP 22 FLA

Switch disconnecter • Marking

CE, UL, IMQ, EAC, CCC, RINA

* IMQ values.