

G3MUQ01/630A/690V



Specifications

ETI Code	004375628
Description	G3MUQ01/630A/690V
Class name	Fuse link
Rated current (A)	630
Type	NH
Size	NH3
Characteristics	aR
Rated AC voltage (V)	690
Indicator	Centre trip indicator for MK
Breaking capacity AC (kA)	200
Power dissipation (W)	102
Standards	IEC 60269-4
Operating joule integral (A2s)	260.000
Application	For protection of semiconductor devices
Application	For protection of semiconductor devices
Power dissipation (W)	102
Operating joule integral (A2s)	260.000
Indicator	Centre trip indicator for MK
Breaking capacity AC (kA)	200
Standards	IEC 60269-4

Online product page

Other documentation



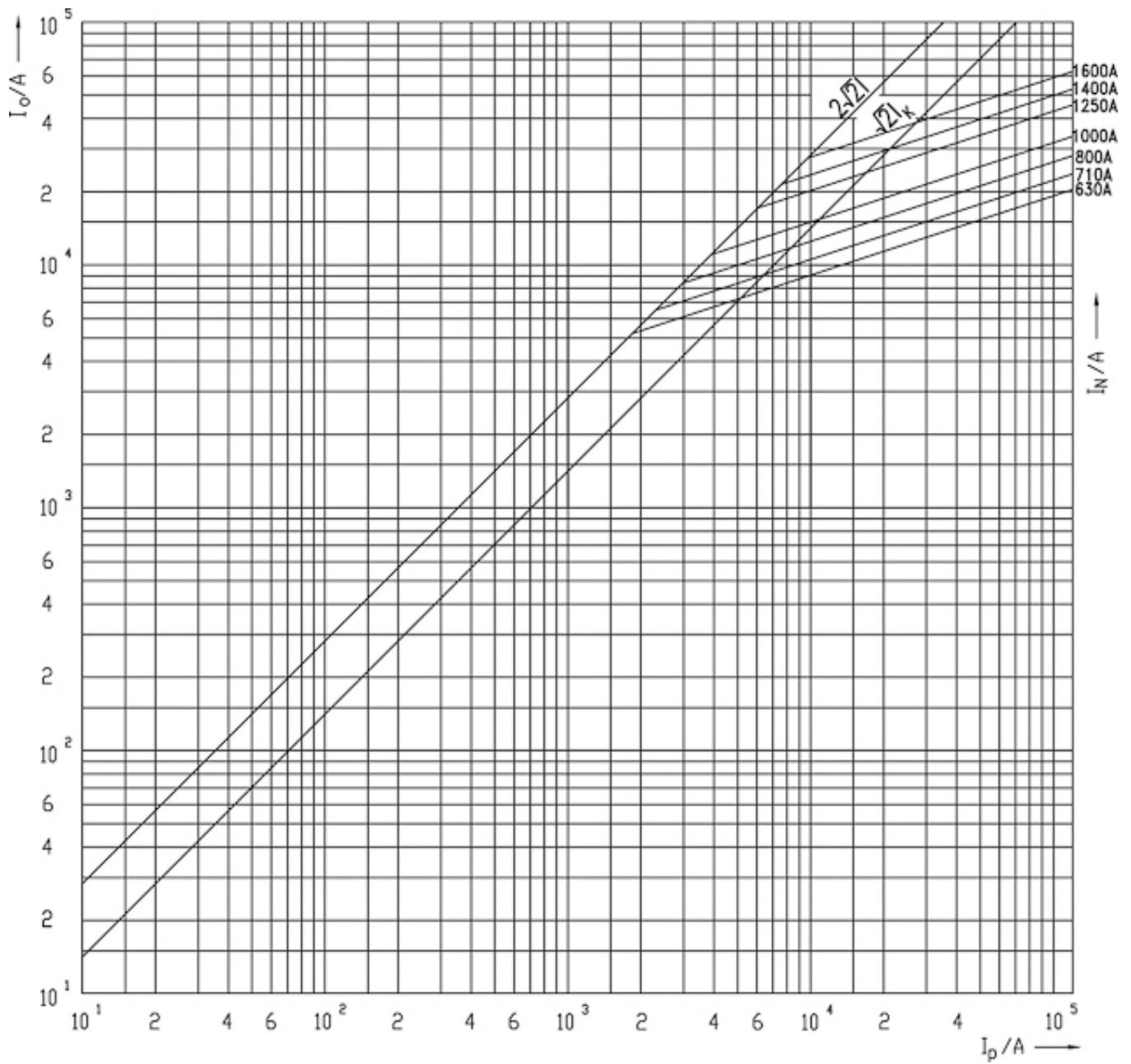
[Instruction manual](#)
[Technical data catalogue](#)
[3D Model](#)
[CE declaration](#)



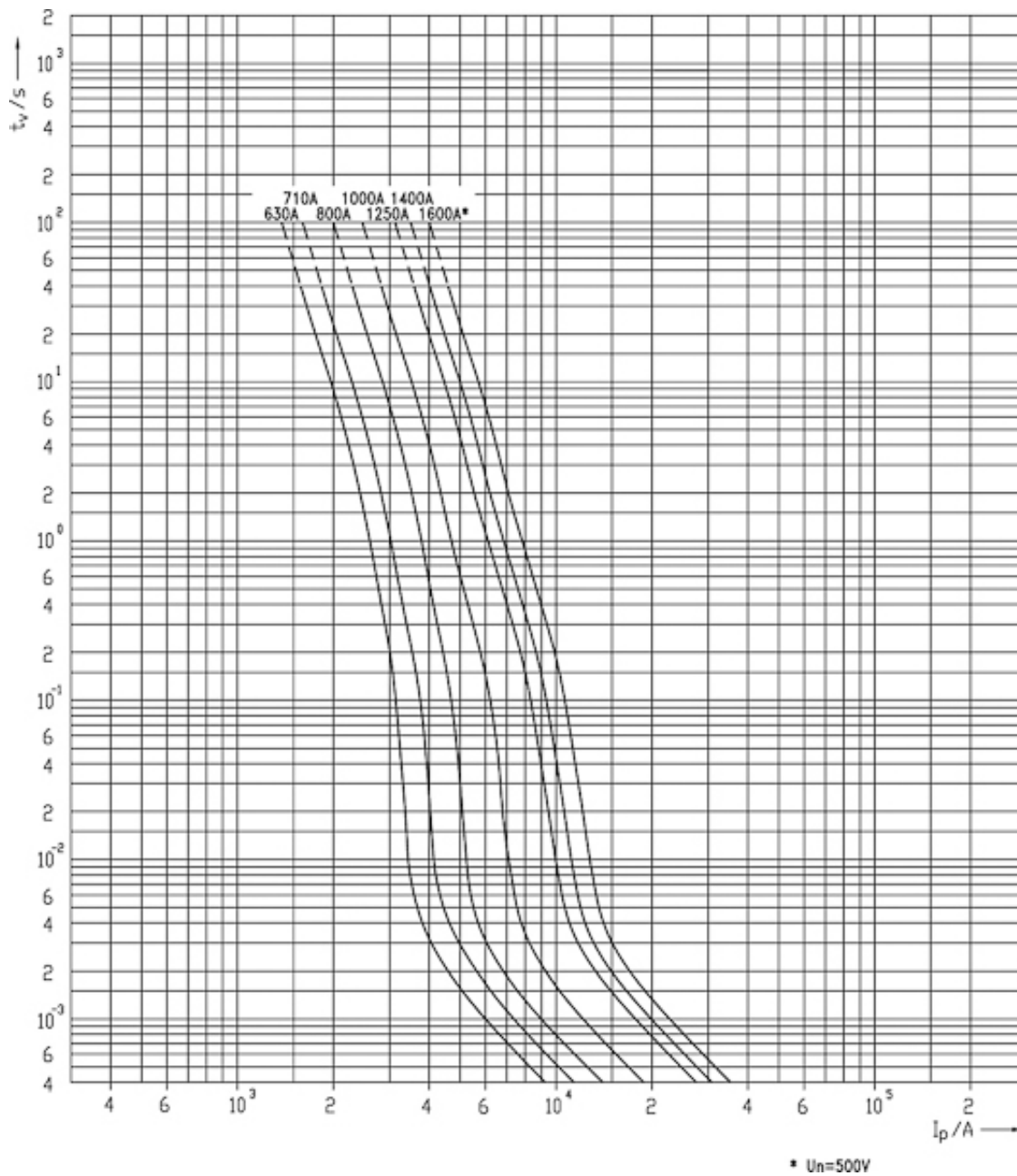
ETIM international classification

Classification	EC000055
Class name	Low Voltage HRC fuse
Application	For protection of semiconductor devices
Breaking capacity	200
Construction size	NH3
Max. rated operation voltage Ue AC	690
Nominal rated current	630A
Nominal rated voltage	690V
Type of fuse status indicator	Other

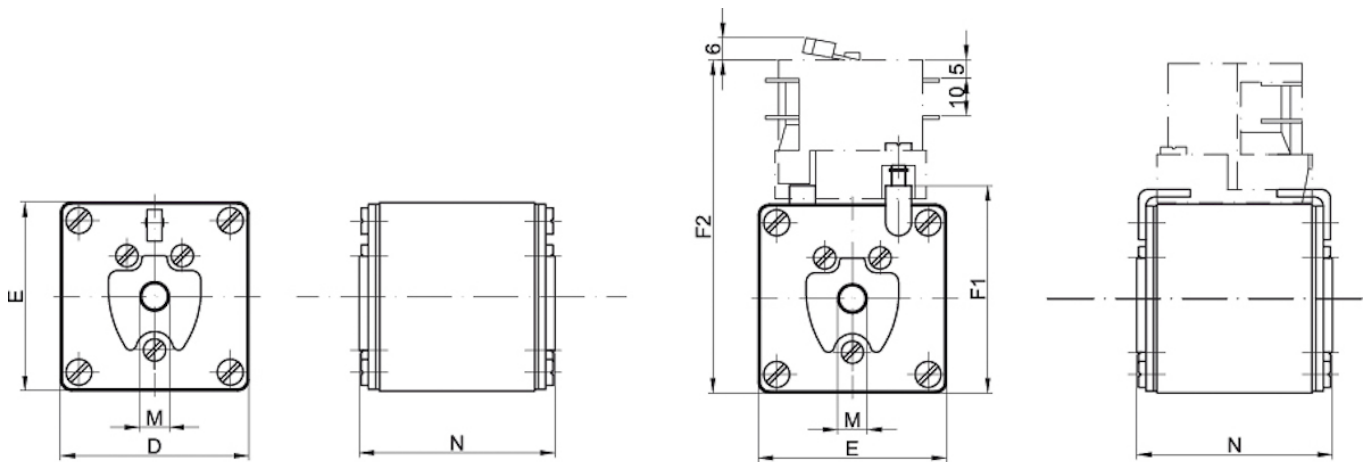
Melting energy characteristics



Characteristics



Dimension drawing



Size	D	E	F1	F2	M	N
1	51	51	56	90	M8	53
2	60	60	65	99	M10	53
3	75	75	80	114	M12	53